



Desigo™ PX

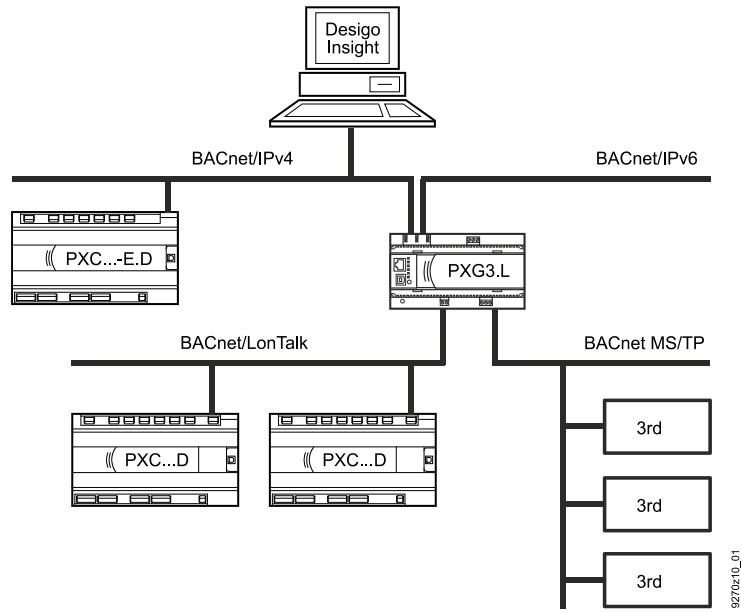
BACnet router for

- BACnet/IP
- BACnet/LonTalk
- BACnet MS/TP

PXG3.L
PXG3.M

-
- Routing between BACnet/IP , BACnet/LonTalk (PXG3.L only), and BACnet MS/TP
 - Supports BACnet/IPv4 and BACnet/IPv6
 - ANSI/ASHRAE 135-2012 Annex J compliant
 - ISO 16484-5 compliant
 - BTL label (BACnet communications passed the BTL test)
 - BBMD support (BACnet Broadcast Management Device)
 - Third-party device support
 - Configuration via Xworks Plus or Web browser (via IPv4)
 - Web browser access to network statistics
 - Firmware update via Ethernet and USB Device
 - LED indication for Ethernet link and activity
 - LED indication for BACnet/LonTalk and BACnet MS/TP (diagnostics)
 - 2-port Ethernet switch for low-cost cabling (10/100 baseT)
 - BACnet MS/TP (RS-485) baud rates: 9600, 19200, 38400, 76800, 115200
 - Plug-in screw terminal blocks for supply, LONWORKS, and MS/TP
 - RJ45 plug for PXM20 (LONWORKS)
 - Operating voltage: AC 24 V or DC 24 V
 - DIN rail mounting
 - BACnet MS/TP Slave Proxy
 - SNMP (v2), MIB-2
 - BACnet NAT

The PXG3... BACnet router connects a BACnet/IP network to a BACnet/LonTalk network (PXG3.L only), and/or a BACnet MS/TP channel. BACnet objects are transmitted simultaneously throughout any and all networks.



Router functions

Four-way routing

The PXG3... BACnet router transmits BACnet protocol between a BACnet/IPv4 network, a BACnet/IPv6 network, a BACnet/LonTalk network (PXG3.L only), and a BACnet MS/TP channel. BACnet objects are simultaneously transmitted throughout any and all networks.

BBMD

Broadcast Management Device, used to distribute BACnet Broadcast messages across IP Routers.

Web server

The BACnet router includes a Device Object and can be operated by a BACnet Client. Present operating state, date and time as well as statistics on sent packages can be viewed via web server.

MS/TP Slave Proxy

The BACnet router can serve as a Slave Proxy for slaves that are connected to its MSTP port. In other words, it responds to Who-Is messages on the slaves' behalf by sending an I-Am message.

SNMP v2

Simple Network Management protocol MIB-2, for monitoring and diagnosing the BACnet router network interface.

BACnet NAT

Supports setup of a BACnet network over a NAT device. Additionally, remote access from a public network to BACnet devices is possible on a private network.

Important: the public IP address must be static.

For security reasons we recommend using VPN tunneling with BACnet NAT.

For details see standard 135-2012 Annex J.

BACnet/IP to BACnet/IP

When routing between BACnet/IP and BACnet/IP on one IP network, the BACnet router address must be the same on both BACnet networks. The difference is that different BACnet UDP ports are used on the BACnet network.

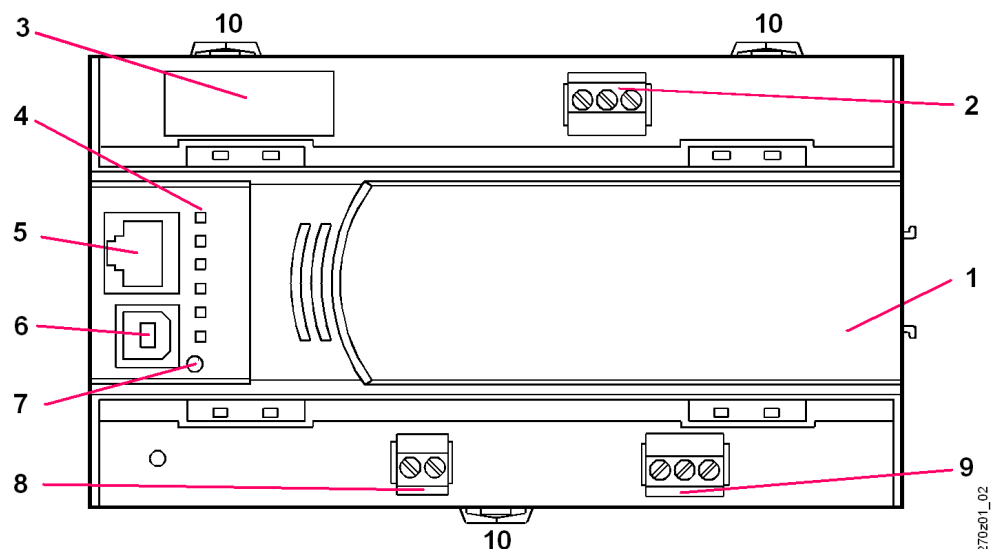
Communication

- The router complies with ANSI/ASHRAE 135-2012 Annex J and ISO 16484-5.
- A 2-port Ethernet switch allows low-cost cabling via line topology. This is the preferred commissioning medium.
- The LONWORKS network is connected via a 2-pin connection terminal.
- The MS/TP channel is connected via RS485 or a 3-pin connection terminal.
- An RJ45 plug on the device front allows connecting to a PXM20 operator unit (PXG3.L only).
- A USB port is available for connecting the tool.

Type summary

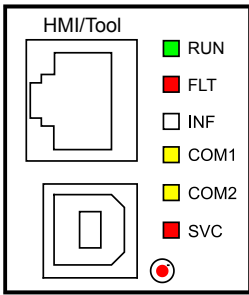
Type (ASN)	Product number (SSN)	Name	Ethernet ports	LONWORKS	MS/TP
PXG3.L	S55842-Z105-A100	BACnet Router Ethernet/IP- LonTalk-MS/TP	2	x	x
PXG3.M	S55842-Z106-A101	BACnet Router Ethernet/IP-MS/TP	2		x

Mechanical design

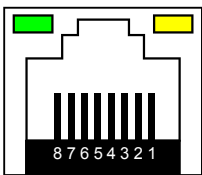


- 1 Plastic housing
- 2 Plug-in terminal block (operating voltage)
- 3 2-port Ethernet switch (with 2 LEDs each for display purposes)
- 4 LEDs for device and system status indication
- 5 RJ45 interface for PXM20 (PXG3.L only)
- 6 Tool interface (USB Device)
- 7 Service button for identification on network (Ethernet, LONWORKS)
- 8 LONWORKS terminal block (PXG3.L only)
- 9 MS/TP terminal block
- 10 Slider for mounting on DIN rail

LEDs



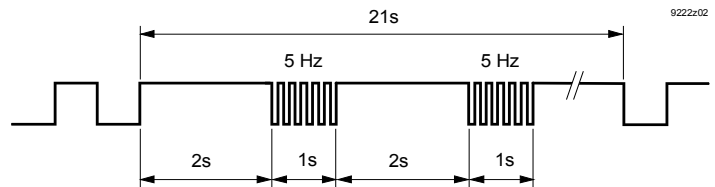
9270z02



9270z05

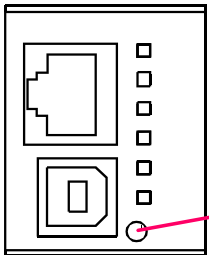
LED	Color	Activity	Function
RUN	Green	<ul style="list-style-type: none"> Continuously ON Continuously OFF Flashing 	<ul style="list-style-type: none"> Device ready. At least one internal power supply out of range. Start-up of device.
FLT	Red	<ul style="list-style-type: none"> Continuously OFF Continuously ON Flashing 	<ul style="list-style-type: none"> OK HW fault or program fault. Incorrect or corrupt FW.
INF	--	--	(Not used)
COM1	Yellow	<ul style="list-style-type: none"> Flashing 	<ul style="list-style-type: none"> Sends MS/TP packages.
COM2	Yellow	<ul style="list-style-type: none"> Flashing 	<ul style="list-style-type: none"> Sends LONWORKS packages (PXG3.L only).
SVC	Red	<ul style="list-style-type: none"> Continuously OFF Continuously ON Flashing Flashing per wink command *) 	<ul style="list-style-type: none"> Configured. Defective Hardware. Unconfigured. Physical identification of the router.
Ethernet 1 / 2	Green	<ul style="list-style-type: none"> Continuously ON Continuously OFF Flashing 	<ul style="list-style-type: none"> Link active Link inactive Network activity
	Yellow	<ul style="list-style-type: none"> Continuously ON Continuously OFF 	<ul style="list-style-type: none"> Link 100 Mbps Link 10 Mbps

*) Wink command pattern:



9222z02

Service button



9270z03

Button	Press	Description
1	<ul style="list-style-type: none"> Short 	Physical identification on the network (Ethernet). Proceed as follows to reset the device to a factory state : 1. Power off device. 2. Power on device. 3. Wait for all LEDs to light up and turn off again, then push the SVC button. 4. Keep SVC button pressed until all LEDs light up, then release. Up to Desigo V6_SP (FW V01.15.15.144): Keep SVC button pressed until the green RUN LED flashes, then release. 5. Wait for device to fully start up unconfigured (RUN LED on, SVC LED flashes). Any device passwords and other settings are lost.

Engineering

- The router does not require programming. It is configured either using Xworks Plus or the Desigo SSA-DNT via Ethernet or using a USB device. For details see SSA (Setup & Service Assistant) Commissioning, CA111050).
- Each device has a unique identification number to ensure efficient commissioning. The number is located on a removable barcode label.
- Each device has a unique MAC address.

For more details see document “Ethernet, TCP/IP, MS/TP and BACnet - Principles” (CM110666).

Installation

Ethernet: See installation manual Desigo TRA, CM111043.

LONWORKS: See installation manual Desigo RXC, CA110336.

Note

HMI (RJ45 plug): only the PXM20 can be connected. Otherwise the PXG3.L or the mistakenly connected device may be damaged.

Mounting

The router is designed for mounting on a standard mounting rail or on a wall. Power is supplied by connecting the plug-in screw terminal blocks.

Commissioning

To prevent equipment damage and/or personal injuries adhere to local safety regulations and related safety standards.

Maintenance

No maintenance required. A supercap supports the real-time clock (3 days).

Disposal




The devices are considered electronic devices for disposal in terms of the European Directive 2012/19/EU (WEEE) and may not be disposed of as domestic waste.

Dispose of the devices via the proper channels.

Observe all local and applicable laws.

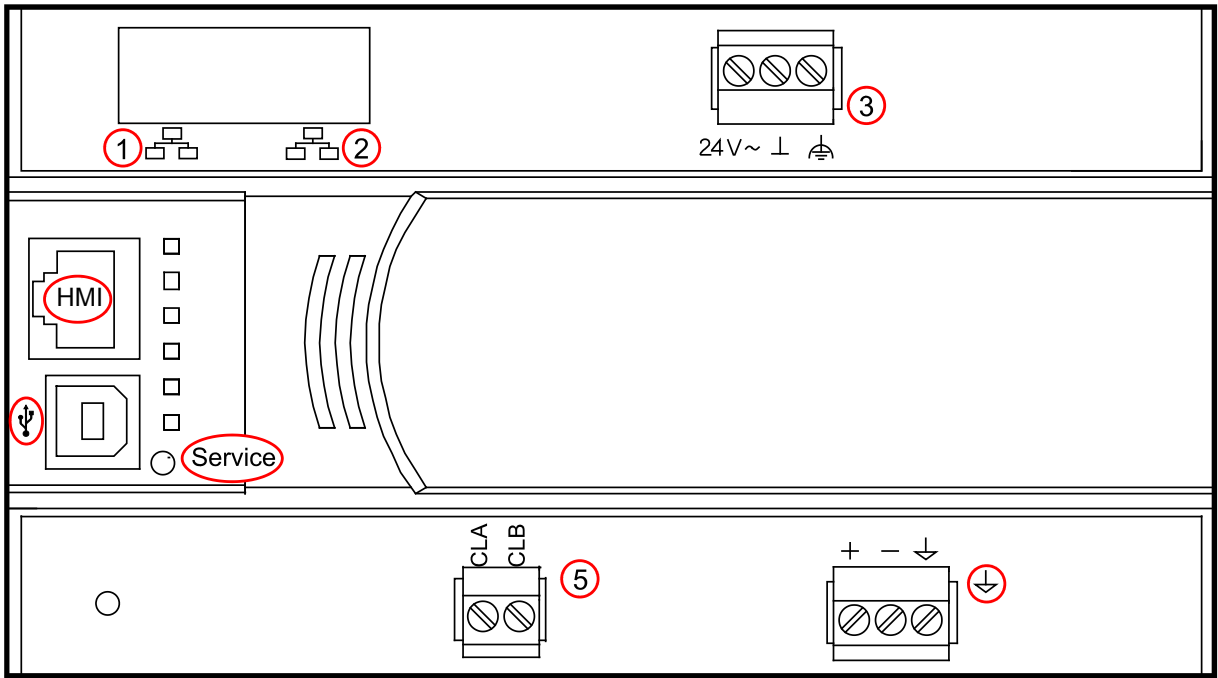
Technical data

Operating voltage (24 V~, ⊥, ⚡)	Operating voltage	AC 24 V ± 20 % (SELV/PELV) or AC/DC 24 V class 2 (US) 48...63 Hz Symmetric
	Half-wave load ⚡ = Technical ground	
Power consumption	At AC 24 V	Max. 9 VA
	At DC 24 V	Max. 4 W
	Max. permissible transit power AC/DC 24 V (RJ45 interface, HMI)	Max. 0.5 A
	Internal fuse	With PTC
Hardware information	Processor	Series B Series C
		Atmel ARM9 Texas Instruments AM3352, 600MHz
	Memory	Series B Series C
		256 MB Flash, 64 MB SDRAM 512 MB Flash, 512 MB SDRAM (DDR3)
Response to power / communication failure	Energy reserve (Supercap) to support real-time clock (3 days). Data available only if saved to flash memory.	
Ethernet interface	Plug	2 x RJ45, screened
	Interface type	100BaseTX, IEEE 802.3 compatible
	Bit rate	10/100 Mbps, half / full duplex, auto-negotiation
	Protocol	BACnet over UDP/IP
HMI interface	Generic, for HMI (LONWORKS)	RJ45 (PXG3.L only)
USB interface	Plug	Type B (USB device)
	Data rate (USB 1.0 full speed)	12 Mbps
	Galvanic isolation of ⊥	No
	Protective switch against surges and overcurrent	Yes
LONWORKS interface (PXG3.L only)	Interface type	TP/FT-10
	Transceiver	FT 5000 smart transceiver
	Galvanic isolation	Yes
	Bit rate	78 kbps
	Protocol	BACnet over LonTalk
MS/TP interface	Interface type	RS485
	Galvanic isolation	Yes
	Baud rates	9600, 19200, 38400, 76800, 115200
	Protocol	BACnet over MS/TP
Connection terminals, plug-in	Design type	Plug-in screw terminals
	Cu-wire or Cu-strand with wire end sleeve	1 x 0.6 mm dia. to 2.5 mm ² or 2 x 0.6 mm dia. to 1.0 mm ² 1 x 0.6 mm dia. to 2.5 mm ²
	Cu-strand without wire end sleeve	or 2 x 0.6 mm dia. to 1.5 mm ²
	Screwdriver	Slot screws Screwdriver, size 1 <i>with shaft dia. ≤ 4.5 mm</i>
	Max. tightening torque	0.6 Nm

Assignment as per EN 60730	Operation of automatic controller	Type 1	
	Degree of pollution	2	
Housing protection standard	Design type	Protection class III	
	Protection type as per EN 60529		
	Front parts in the DIN section	IP30	
Ambient conditions	Terminal part	IP20	
	Operation	As per IEC 60721-3-3	
	Climatic conditions	Class 3K5	
	Temperature	-5 ... 50 °C	
	Humidity	5...95% r.h. (non-condensing)	
	Mechanical conditions	Class 3M2	
	Transport	As per IEC 60721-3-2	
	Climatic conditions	Class 2K3	
Temperature	-25...70 °C		
Humidity	5...95% r.h. (non-condensing)		
Mechanical conditions	Class 2M2		
Standards, directives, and approvals	Product standard	EN 60730-1	Automatic electrical controls for household and similar use
	Product family standard	EN 50491-x	General requirements for Home and Building Electronic Systems (HBES) and Building Automation and Control Systems (BACS)
	Electromagnetic compatibility (Applications)		For use in residential, commerce, light-industrial and industrial environments
	EU conformity (CE)		CM1T9270xx *)
	UL certification (US)		UL 916, http://ul.com/database
	RCM-conformity (EMC)		CM1T9222en_C1 *)
	EAC conformity		Eurasia conformity
Environmental compatibility		Certificate	
	Product environmental declaration (contains data on RoHS compliance, materials composition, packaging, environmental benefit, disposal)	CM1E9270 *)	
Color	Housing	RAL 7035 (light-gray)	
Dimensions	Housing as per DIN 43880, see dimensions		
Weight	Without/with packaging	286 g / 332 g	

*) The documents can be downloaded at <http://siemens.com/bt/download>.

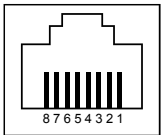
Connection terminals and interfaces



9270z04

1, 2		2 x RJ45 interface for Ethernet
3	24 V ~, ⊥, ⚡	AC / DC 24 V operating voltage
5	CLA, CLB	LONWORKS interface (PXG3.L only)
↓	+, -, ↓	MS/TP interface
HMI		RJ45 interface for HMI (PXG3.L only)
	USB	USB tool interface
Service		Service button

RJ45 pin assignment for HMI



9270z01

Pin	Name	Description	Pin	Name	Description
1	CLA	LONWORKS A	5	nc	Not connected
2	CLB	LONWORKS B	6	nc	Not connected
3	AC24V_N	AC24V Neutral	7	nc	Not connected
4	AC24V_L	AC24V Line max. 500mA	8	nc	Not connected

Operating voltage pin assignment

Pin	Name	Description
1	24 V ~	AC 24 V
2	⊥	System neutral
3	⚡	Technical ground

LONWORKS pin assignment

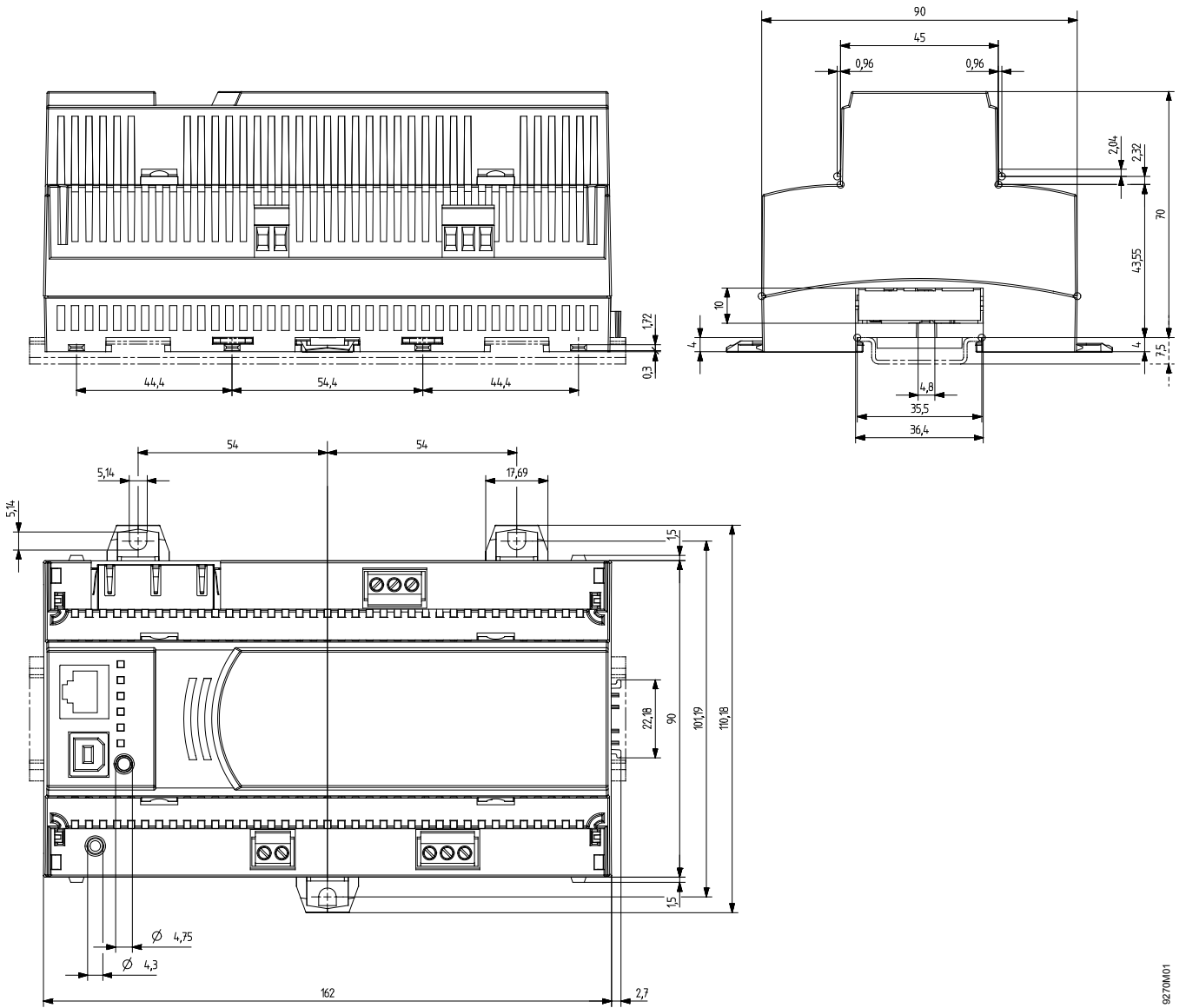
Pin	Name	Description
4	CLA	LONWORKS A
5	CLB	LONWORKS B

MSTP pin assignment

Pin	Name	Description
+	+	Data +
-	-	Data -
↓	↓	Reference wire

Dimensions

All dimensions in mm



9270M01

Published by:
Siemens Switzerland Ltd.
Building Technologies Division
International Headquarters
Gubelstrasse 22
6301 Zug
Switzerland
Tel. +41 41-724 24 24
www.siemens.com/buildingtechnologies

© Siemens Switzerland Ltd 2012
Delivery and technical specifications subject to change